



BZ, compact and efficient

1. Compact design

- Super-compact design, just 779mm wide
- Can be installed on R410A and R22 piping systems

2. Better indoor air quality

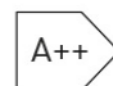
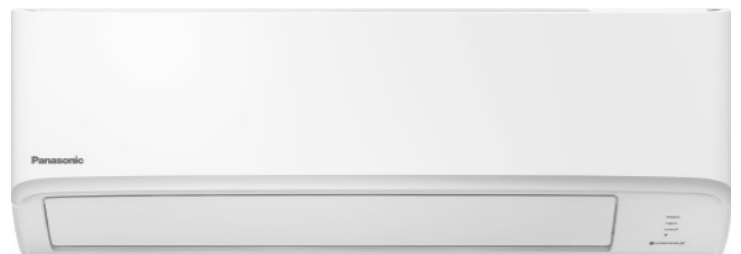
- Cleaner indoor air with PM2,5 Filter

3. High comfort

- Aerowings for superior air flow control
- Super Quiet! Only 20dB(A)
- Heating down to -15°C

4. Smart control

- Optional internet control via Panasonic Comfort Cloud app (requires CZ-TACG1)
- Compatible with Google Assistant and Amazon Alexa





BZ, compact and efficient

1. Compact design

- Super-compact design, just 779mm wide
- Can be installed on R410A and R22 piping systems

2. Better indoor air quality

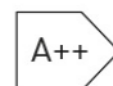
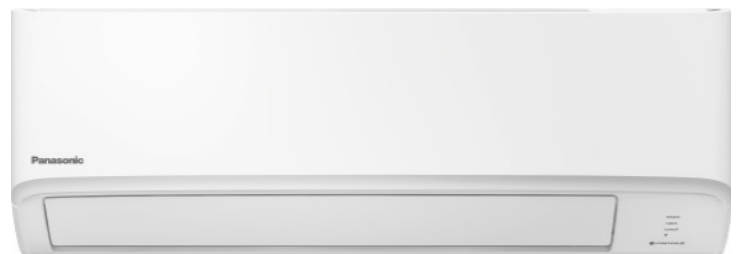
- Cleaner indoor air with PM2,5 Filter

3. High comfort

- Aerowings for superior air flow control
- Super Quiet! Only 20dB(A)
- Heating down to -15°C

4. Smart control

- Optional internet control via Panasonic Comfort Cloud app (requires CZ-TACG1)
- Compatible with Google Assistant and Amazon Alexa



High comfort in a compact unit

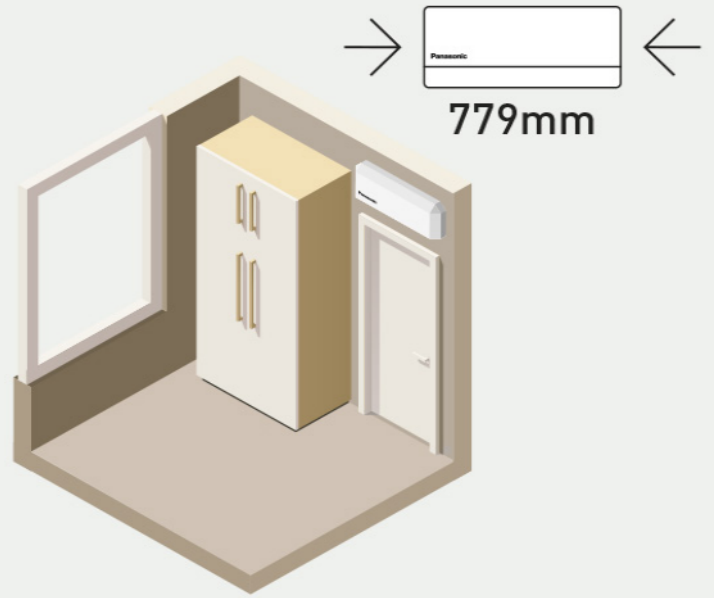
Super-compact design

The compact design of the indoor units have a width of just **779mm**. This allows for more installation possibilities, including the limited space above a door.

Easy maintenance

Meticulously designed for both installer and user benefit, the unit features an easy to remove front grille for convenient access to the interior.

Electronics and wiring components are now on just one side of the unit to simplify maintenance.



Simple installation

Thanks to advanced improvements, installation time has been decreased. The models have been designed to provide more stability and strength for neat installation, with newly built-in support and convenient access to the drain hose, cabling inserts and larger space for secure installation.



Highlighted features

Super Quiet – Only 20dB(A)

With Super Quiet technology our devices are quieter than a library.

Cleaner indoor air with PM2,5 filter

The filter can catch PM2,5 particulate matter, such as hazardous pollutants, dust and pollen, to improve the quality of the indoor air.

Aerowings

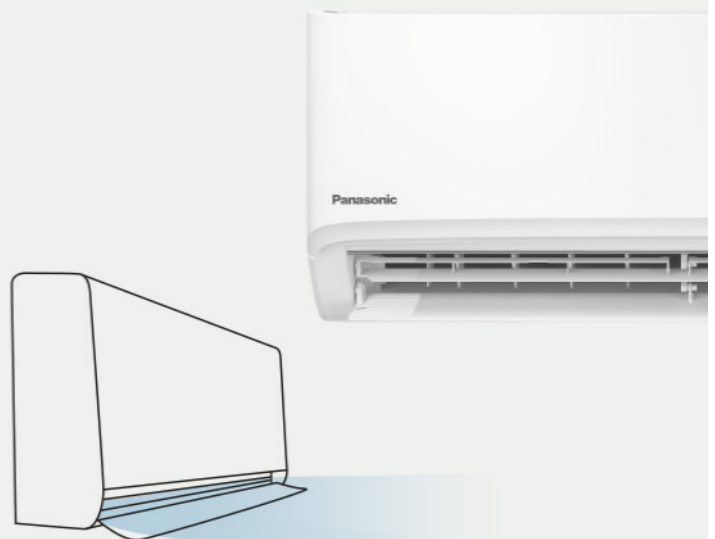
Panasonic's Aerowings feature incorporates two blades that concentrate air flow to cool you down in the shortest time possible. This also helps distribute cool air evenly throughout the room.

Comfort that goes on and on with Shower Cooling.

When the Aerowings twin blades direct air towards the ceiling they create the Shower Cooling effect.

This ensures cool air is evenly distributed throughout the room and you can stay comfortable without experiencing continuous direct cooling.

Panasonic Air Conditioners with Aerowings feature an indoor design with wider intake grille and super-high fan speed to produce bigger air flow.



High comfort in a compact unit

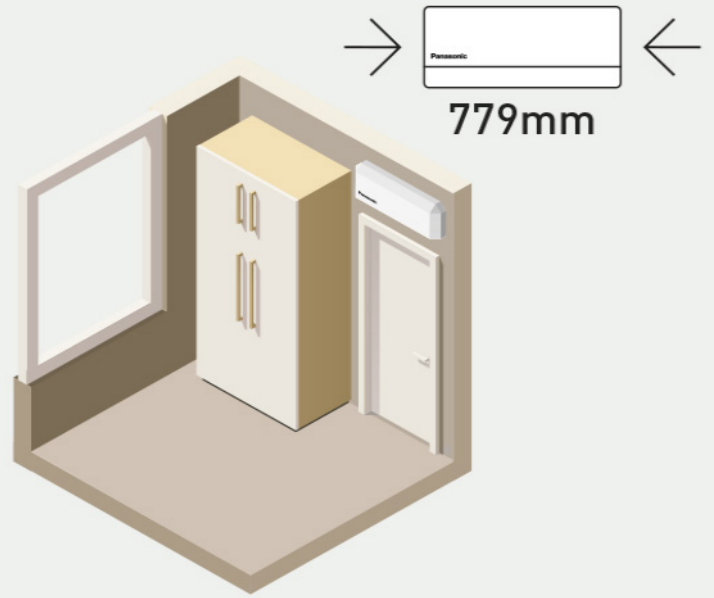
Super-compact design

The compact design of the indoor units have a width of just **779mm**. This allows for more installation possibilities, including the limited space above a door.

Easy maintenance

Meticulously designed for both installer and user benefit, the unit features an easy to remove front grille for convenient access to the interior.

Electronics and wiring components are now on just one side of the unit to simplify maintenance.



Simple installation

Thanks to advanced improvements, installation time has been decreased. The models have been designed to provide more stability and strength for neat installation, with newly built-in support and convenient access to the drain hose, cabling inserts and larger space for secure installation.



Highlighted features

Super Quiet – Only 20dB(A)

With Super Quiet technology our devices are quieter than a library.

Cleaner indoor air with PM2,5 filter

The filter can catch PM2,5 particulate matter, such as hazardous pollutants, dust and pollen, to improve the quality of the indoor air.

Aerowings

Panasonic's Aerowings feature incorporates two blades that concentrate air flow to cool you down in the shortest time possible. This also helps distribute cool air evenly throughout the room.

Comfort that goes on and on with Shower Cooling.

When the Aerowings twin blades direct air towards the ceiling they create the Shower Cooling effect.

This ensures cool air is evenly distributed throughout the room and you can stay comfortable without experiencing continuous direct cooling.

Panasonic Air Conditioners with Aerowings feature an indoor design with wider intake grille and super-high fan speed to produce bigger air flow.



Technology for high comfort

Voice Control. Words do more than actions

Boundless control and hands-free help to access all the features of your air-to-air heat pump.

Maximising your comfort is now a breeze with our connected air conditioners using the Panasonic Comfort Cloud App and voice control.

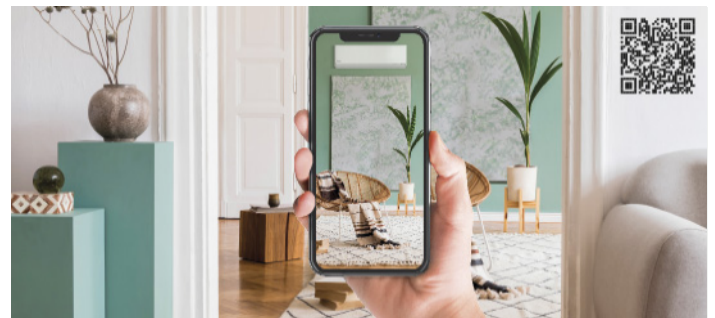
* Google, Android, Google Play and Google Home are trademarks of Google LLC. Amazon, Alexa and all related logos are trademarks of Amazon.com, Inc. or its affiliates. Availability of Voice Assistant services varies depending on Country and Language.



Domestic AirCon Quick Selector

This user-friendly online tool for our domestic range allows to choose the best split or multi-split system for each project needs and get the specifications of that particular application.

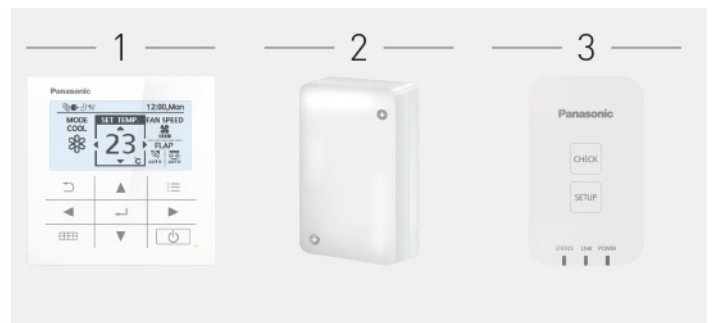
Configure in a few steps your multi split system with our online tool and see the capacity of all possible combinations



AR Heat Pump Viewer

Interested to see how a Panasonic air conditioner looks in your home?

Try the new Panasonic AR projector, utilising augmented reality!



Accessories

- | | |
|--------------|---|
| 1. CZ-RD517C | Wired remote controller for wall-mounted and floor console |
| 2. CZ-CAPRA1 | RAC interface adapter for integration into S-Link |
| 3. CZ-TACG1 | Wi-Fi adapter for smart control via Panasonic Comfort Cloud App |

Technology for high comfort

Voice Control. Words do more than actions

Boundless control and hands-free help to access all the features of your air-to-air heat pump.

Maximising your comfort is now a breeze with our connected air conditioners using the Panasonic Comfort Cloud App and voice control.

* Google, Android, Google Play and Google Home are trademarks of Google LLC. Amazon, Alexa and all related logos are trademarks of Amazon.com, Inc. or its affiliates. Availability of Voice Assistant services varies depending on Country and Language.



Domestic AirCon Quick Selector

This user-friendly online tool for our domestic range allows to choose the best split or multi-split system for each project needs and get the specifications of that particular application.

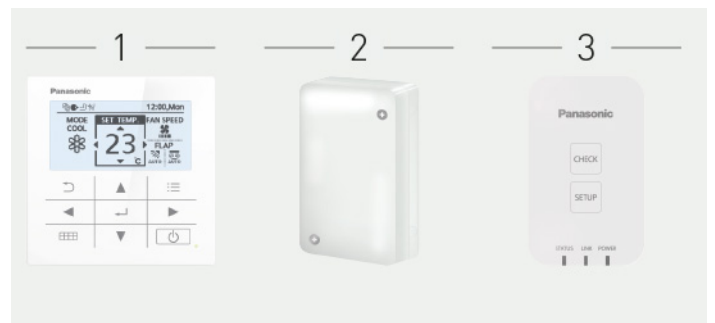
Configure in a few steps your multi split system with our online tool and see the capacity of all possible combinations



AR Heat Pump Viewer

Interested to see how a Panasonic air conditioner looks in your home?

Try the new Panasonic AR projector, utilising augmented reality!



Accessories

- | | |
|--------------|---|
| 1. CZ-RD517C | Wired remote controller for wall-mounted and floor console |
| 2. CZ-CAPRA1 | RAC interface adapter for integration into S-Link |
| 3. CZ-TACG1 | Wi-Fi adapter for smart control via Panasonic Comfort Cloud App |

BZ super-compact • R32

BZ super-compact • R32		SINGLE PHASE			
		2.50 kW	3.40 kW	5.00 kW	6.00 kW
Kit		KIT-BZ25-XKE	KIT-BZ35-XKE	KIT-BZ50-XKE	KIT-BZ60-XKE
Cooling capacity (Nominal)	kW	2,50	3,40	5,00	6,00
Cooling capacity (Min)	kW	0,85	0,85	0,98	0,98
Cooling capacity (Max)	kW	3,00	3,90	5,40	6,50
EER (Nominal) (1)	W/W	3,68	3,18	3,03	3,03
EER (Min) (1)	W/W	4,05	3,54	3,92	3,92
EER (Max) (1)	W/W	3,33	3,05	2,90	2,83
SEER (2)		6,20 A++	6,10 A++	6,50 A++	6,30 A++
Pdesign (cooling)	kW	2,50	3,40	5,00	6,00
Input power cooling (Nominal)	kW	0,68	1,07	1,65	1,98
Input power cooling (Min)	kW	0,21	0,24	0,25	0,25
Input power cooling (Max)	kW	0,90	1,28	1,86	2,30
Annual energy consumption cooling (3)	kWh/a	141	195	269	333
Heating capacity (Nominal)	kW	3,15	3,84	5,40	6,80
Heating capacity (Min)	kW	0,80	0,80	0,98	0,98
Heating capacity (Max)	kW	3,60	4,40	7,50	8,00
Heating capacity at -7°C	kW	2,14	2,60	4,58	5,10
COP (Nominal) (1)	W/W	4,06	3,69	3,42	3,16
COP (Min) (1)	W/W	4,21	4,10	4,67	4,26
COP (Max) (1)	W/W	3,46	3,41	3,06	3,02
SCOP (2)		4,20 A+	4,20 A+	4,10 A+	4,00 A+
Pdesign at -10°C	kW	1,90	2,40	4,00	4,40
Input power heating (Nominal)	kW	0,78	1,04	1,58	2,15
Input power heating (Min)	kW	0,19	0,20	0,21	0,23
Input power heating (Max)	kW	1,04	1,29	2,45	2,65
Annual energy consumption heating (3)	kWh/a	633	800	1.366	1.540
Indoor unit		CS-BZ25XKE	CS-BZ35XKE	CS-BZ50XKE	CS-BZ60XKE
Indoor power source	V	230	230	230	230
Indoor recommended fuse	A	16	16	16	20
Indoor connection indoor / outdoor	mm ²	4 x 1,5	4 x 1,5	4 x 2,5	4 x 2,5
Indoor air flow (Cool)	m ³ /min	10,5	10,8	12,5	12,7
Indoor air flow (Heat)	m ³ /min	11,1	11,3	13,2	13,6
Moisture removal volume	L/h	1,5	2,0	2,8	3,3
Indoor sound pressure (Cool -Hi) (4)	dB(A)	37	38	44	45
Indoor sound pressure (Cool -Hi) (4)	dB(A)	37	38	44	45
Indoor sound pressure (Cool -Lo) (4)	dB(A)	26	30	37	37
Indoor sound pressure (Cool -Q-Lo) (4)	dB(A)	20	20	34	34
Indoor sound pressure (Heat -Hi) (4)	dB(A)	37	38	44	45
Indoor sound pressure (Heat -Lo) (4)	dB(A)	27	33	37	37
Indoor sound pressure (Heat -Q-Lo) (4)	dB(A)	24	25	34	34
Indoor dimension (Height)	mm	290	290	290	290
Indoor dimension (Width)	mm	779	779	779	779
Indoor dimension (Depth)	mm	209	209	209	209
Indoor net weight	kg	8	8	8	9
Outdoor unit		CU-BZ25XKE	CU-BZ35XKE	CU-BZ50XKE	CU-BZ60XKE
Outdoor air flow (Cool)	m ³ /min	30,4	31,1	32,7	42,6
Outdoor air flow (Heat)	m ³ /min	30,4	31,1	32,7	41,5
Outdoor sound pressure (Cool -Hi) (4)	dB(A)	48	48	48	50
Outdoor sound pressure (Cool -Hi) (4)	dB(A)	48	48	48	50
Outdoor sound pressure (Heat -Hi) (4)	dB(A)	49	50	49	50
Outdoor dimension (Height) (5)	mm	542	542	619	695
Outdoor dimension (Width) (5)	mm	780	780	824	875
Outdoor dimension (Depth) (5)	mm	289	289	299	320
Outdoor net weight	kg	24	25	36	43
Pipe diameter (Liquid)	Inch (mm)	1/4 (6,35)	1/4 (6,35)	1/4 (6,35)	1/4 (6,35)
Pipe diameter (Gas)	Inch (mm)	3/8 (9,52)	3/8 (9,52)	1/2 (12,70)	1/2 (12,70)
Pipe length range	m	3 ~ 15	3 ~ 15	3 ~ 15	3 ~ 30
Elevation difference (in/out) (6)	m	15	15	15	15
Pipe length for additional gas	m	7,5	7,5	7,5	7,5
Additional gas amount	g/m	10	10	15	15
Refrigerant (R32) / CO2 Eq.	kg / T	0,54 / 0,36	0,67 / 0,45	1,14 / 0,77	1,11 / 0,75
Operating range (Cool - Min)	°C	-10	-10	-10	-10
Operating range (Cool - Min)	°C	-10	-10	-10	-10
Operating range (Cool - Max)	°C	+43	+43	+43	+43
Operating range (Heat - Min)	°C	-15	-15	-15	-15
Operating range (Heat - Max)	°C	+24	+24	+24	+24

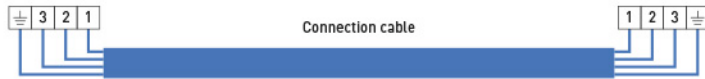
BZ super-compact • R32

BZ super-compact • R32		SINGLE PHASE			
		2.50 kW	3.40 kW	5.00 kW	6.00 kW
Kit		KIT-BZ25-XKE	KIT-BZ35-XKE	KIT-BZ50-XKE	KIT-BZ60-XKE
Cooling capacity (Nominal)	kW	2,50	3,40	5,00	6,00
Cooling capacity (Min)	kW	0,85	0,85	0,98	0,98
Cooling capacity (Max)	kW	3,00	3,90	5,40	6,50
EER (Nominal) (1)	W/W	3,68	3,18	3,03	3,03
EER (Min) (1)	W/W	4,05	3,54	3,92	3,92
EER (Max) (1)	W/W	3,33	3,05	2,90	2,83
SEER (2)		6,20 A++	6,10 A++	6,50 A++	6,30 A++
Pdesign (cooling)	kW	2,50	3,40	5,00	6,00
Input power cooling (Nominal)	kW	0,68	1,07	1,65	1,98
Input power cooling (Min)	kW	0,21	0,24	0,25	0,25
Input power cooling (Max)	kW	0,90	1,28	1,86	2,30
Annual energy consumption cooling (3)	kWh/a	141	195	269	333
Heating capacity (Nominal)	kW	3,15	3,84	5,40	6,80
Heating capacity (Min)	kW	0,80	0,80	0,98	0,98
Heating capacity (Max)	kW	3,60	4,40	7,50	8,00
Heating capacity at -7°C	kW	2,14	2,60	4,58	5,10
COP (Nominal) (1)	W/W	4,06	3,69	3,42	3,16
COP (Min) (1)	W/W	4,21	4,10	4,67	4,26
COP (Max) (1)	W/W	3,46	3,41	3,06	3,02
SCOP (2)		4,20 A+	4,20 A+	4,10 A+	4,00 A+
Pdesign at -10°C	kW	1,90	2,40	4,00	4,40
Input power heating (Nominal)	kW	0,78	1,04	1,58	2,15
Input power heating (Min)	kW	0,19	0,20	0,21	0,23
Input power heating (Max)	kW	1,04	1,29	2,45	2,65
Annual energy consumption heating (3)	kWh/a	633	800	1.366	1.540
Indoor unit		CS-BZ25XKE	CS-BZ35XKE	CS-BZ50XKE	CS-BZ60XKE
Indoor power source	V	230	230	230	230
Indoor recommended fuse	A	16	16	16	20
Indoor connection indoor / outdoor	mm ²	4 x 1,5	4 x 1,5	4 x 2,5	4 x 2,5
Indoor air flow (Cool)	m ³ /min	10,5	10,8	12,5	12,7
Indoor air flow (Heat)	m ³ /min	11,1	11,3	13,2	13,6
Moisture removal volume	L/h	1,5	2,0	2,8	3,3
Indoor sound pressure (Cool -Hi) (4)	dB(A)	37	38	44	45
Indoor sound pressure (Cool -Hi) (4)	dB(A)	37	38	44	45
Indoor sound pressure (Cool -Lo) (4)	dB(A)	26	30	37	37
Indoor sound pressure (Cool -Q-Lo) (4)	dB(A)	20	20	34	34
Indoor sound pressure (Heat -Hi) (4)	dB(A)	37	38	44	45
Indoor sound pressure (Heat -Lo) (4)	dB(A)	27	33	37	37
Indoor sound pressure (Heat -Q-Lo) (4)	dB(A)	24	25	34	34
Indoor dimension (Height)	mm	290	290	290	290
Indoor dimension (Width)	mm	779	779	779	779
Indoor dimension (Depth)	mm	209	209	209	209
Indoor net weight	kg	8	8	8	9
Outdoor unit		CU-BZ25XKE	CU-BZ35XKE	CU-BZ50XKE	CU-BZ60XKE
Outdoor air flow (Cool)	m ³ /min	30,4	31,1	32,7	42,6
Outdoor air flow (Heat)	m ³ /min	30,4	31,1	32,7	41,5
Outdoor sound pressure (Cool -Hi) (4)	dB(A)	48	48	48	50
Outdoor sound pressure (Cool -Hi) (4)	dB(A)	48	48	48	50
Outdoor sound pressure (Heat -Hi) (4)	dB(A)	49	50	49	50
Outdoor dimension (Height) (5)	mm	542	542	619	695
Outdoor dimension (Width) (5)	mm	780	780	824	875
Outdoor dimension (Depth) (5)	mm	289	289	299	320
Outdoor net weight	kg	24	25	36	43
Pipe diameter (Liquid)	Inch (mm)	1/4 (6,35)	1/4 (6,35)	1/4 (6,35)	1/4 (6,35)
Pipe diameter (Gas)	Inch (mm)	3/8 (9,52)	3/8 (9,52)	1/2 (12,70)	1/2 (12,70)
Pipe length range	m	3 ~ 15	3 ~ 15	3 ~ 15	3 ~ 30
Elevation difference (in/out) (6)	m	15	15	15	15
Pipe length for additional gas	m	7,5	7,5	7,5	7,5
Additional gas amount	g/m	10	10	15	15
Refrigerant (R32) / CO2 Eq.	kg / T	0,54 / 0,36	0,67 / 0,45	1,14 / 0,77	1,11 / 0,75
Operating range (Cool - Min)	°C	-10	-10	-10	-10
Operating range (Cool - Min)	°C	-10	-10	-10	-10
Operating range (Cool - Max)	°C	+43	+43	+43	+43
Operating range (Heat - Min)	°C	-15	-15	-15	-15
Operating range (Heat - Max)	°C	+24	+24	+24	+24

Wiring diagrams

Wall-mounted BZ super-compact kits 1x1

Indoor unit



Outdoor unit



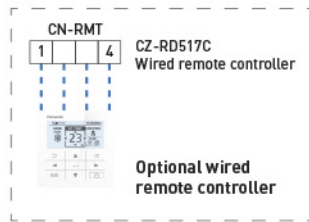
Attention: Wall-mounted Etherea and TZ super-compact have different connection terminals



Single phase
Power supply
230 V / 50 Hz



Infrared remote
controller (included
in the delivery)



Optional wired
remote controller

Power supply to indoor or outdoor depending on model, see table.

Single phase

Indoor unit	Power supply	Recommended fuse	Power supply cable	Connection indoor / outdoor	Outdoor unit
CS-BZ25ZKE	230 V (indoor)	16 A	3 x 1,5 mm ²	4 x 1,5 mm ²	CU-BZ25ZKE
CS-BZ35ZKE	230 V (indoor)	16 A	3 x 1,5 mm ²	4 x 1,5 mm ²	CU-BZ35ZKE
CS-BZ50ZKE	230 V (indoor)	16 A	3 x 2,5 mm ²	4 x 2,5 mm ²	CU-BZ50ZKE
CS-BZ60ZKE	230 V (indoor)	20 A	3 x 2,5 mm ²	4 x 2,5 mm ²	CU-BZ60ZKE