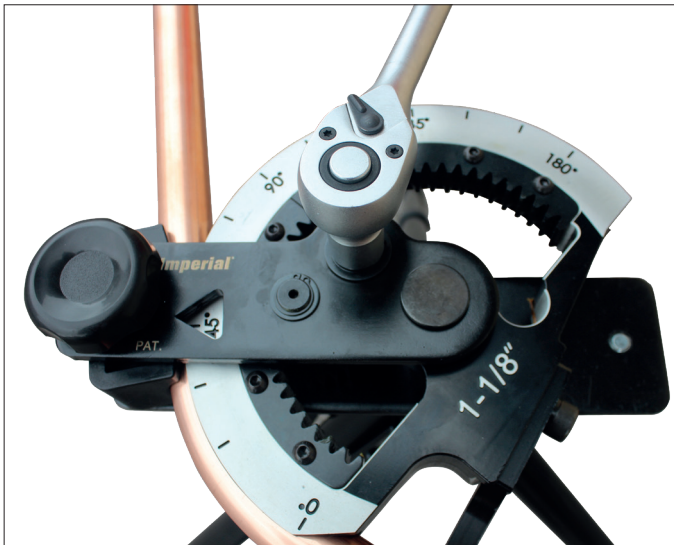




270-F-18 - 1-1/8 OD GEAR BENDER



1-1/8" O.D. tubing for bending soft and half-hard copper, aluminium brass, steel and other tubing and pipe which had been tempered and is suitable for bending.

NB: WE RECOMMEND USING THE IMPERIAL TRIPOD (IMP-270-TRIPOD) WITH THIS BENDER. PLEASE NOTE IMPROPER USE OR MOUNTING COULD DAMAGE THE BENDER AND WILL INVALIDATE THE WARRANTY.

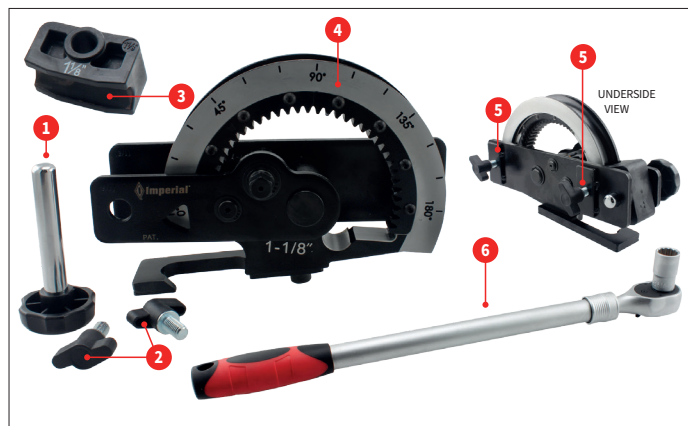
WARNING: THERE IS RISK OF INJURY IF YOU DO NOT KEEP YOUR HANDS AWAY FROM THE CENTRAL GEAR MECHANISM!

FEATURES

- For 1-1/8in. O.D. tubing
- Full 180° bending radius without repositioning
- Four internal main gears which maximizes engagement and reduces gear slippage producing wrinkle free bends



PARTS



1. Locking pin
2. Securing screws
3. Guide
4. Gear bender

5. Mounting points
6. Ratchet wrench (extendable)

SPECIFICATIONS

Code	Item
IMP-270-18-GEARBEND	270-F-18 - 1-1/8 OD gear bender only
IMP-270-TRIPOD	Imperial tripod for gear bender
IMP-270-18-KIT	270-F-18 - 1-1/8 OD gear bender with tripod

TOOLS
IMP-270-18-GEARBEND
 GEAR-TYPE TUBE BENDER



The DiversiTech International sales team are available to answer your questions or queries on this product. Our experts are waiting for your call +44 (0)115 900 5858 or if you prefer send an email to sales@diversitech.com or visit www.diversitech.global